

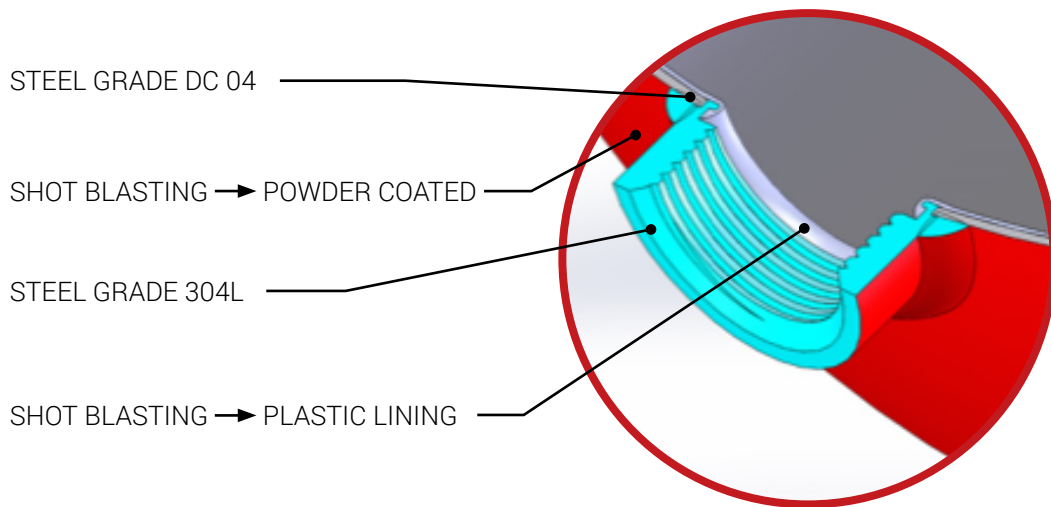


FIRE EXTINGUISHER CYLINDERS

2019

FIRE EXTINGUISHER CYLINDERS

VALPRO is leading metal working company, which specializes in production of steel and stainless steel cylinders for fire extinguishers, extinguishing systems and other metal products.



Fire extinguisher cylinders quality is approved by Bureau Veritas.

It certifies that fire extinguisher cylinders conform to directive Pressure equipment directive 2014/68 EU.

Visually it is confirmed by CE marking on the body.

Products are accompanied with the manufacturer issued declaration.



FIRE EXTINGUISHER CYLINDER TYPES

TWO – PART CYLINDER



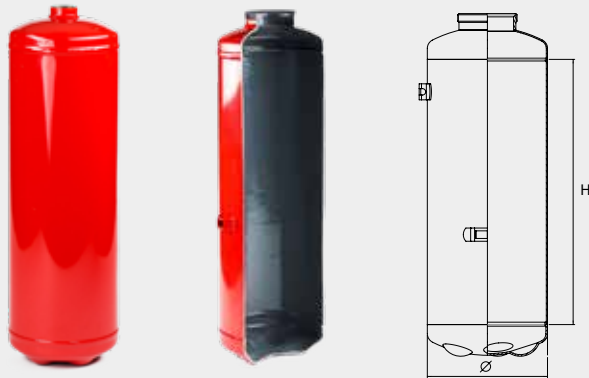
Max length of shell:

500 mm

Max diameter of shell:

190 mm

THREE – PART CYLINDER



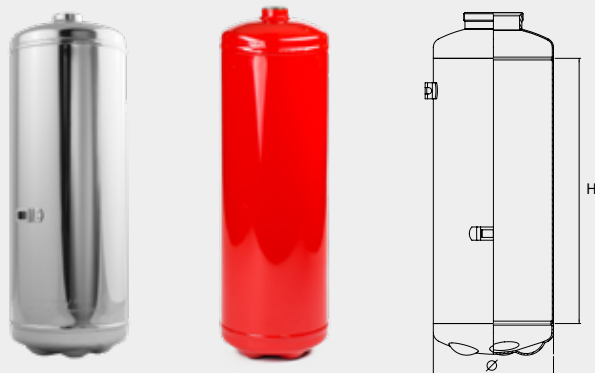
Max length of shell:

800 mm

Max diameter of shell:

306 mm

THREE - PART STAINLESS STEEL CYLINDER



Max length of shell:

800 mm

Max diameter of shell:

306 mm

*All cylinder types are available in sizes 1 – 55 kg/L

FIRE EXTINGUISHER CYLINDER TYPES

	Powder cylinder	Cylinder with internal plastic coating	Stainless steel cylinder
2-PART (DEEP DRAWN)	yes	yes	no
3-PART	yes	yes	yes
POWDER PAINTING	yes	yes	yes

LARGE FIRE EXTINGUISHER CYLINDERS AND TROLLEYS

Cylinders for 25 – 55 kg/L powder and foam fire extinguishers

Diameter of cylinders – 245, 293, 306 mm

Variety of neck rings

* To meet individual needs, different modifications of trolleys are available



CYLINDERS FOR AUTOMATIC FIRE EXTINGUISHERS

Available in sizes – 6, 9 and 12 L/kg

Diameter of cylinders – 293 mm

With or without internal plastic coating



CYLINDER'S MODIFICATIONS BY DESIGN

EXTERNAL AND INTERNAL SURFACE TREATMENT MODIFICATIONS



Electropolished stainless steel:
Matte or glossy



Non-standard colour painting
(RAL catalogue)



Special external and internal treatment
(primer, zinc plating, anti-corrosive paint etc.) for extra protection in aggressive environment



Special internal plastic coating
(Plastcoat).

CYLINDER'S MODIFICATIONS

CONSTRUCTION MODIFICATIONS BEFORE COLOR MODIFICATIONS



Additional holders and other cylinder parts



Additional output openings – external cartridges, hoses, etc.



Additional fixing solutions



Variety of neck rings

FIRE EXTINGUISHER ACCESSORIES

TRANSPORTATION BRACKETS



For 4 - 12 kg fire extinguishers

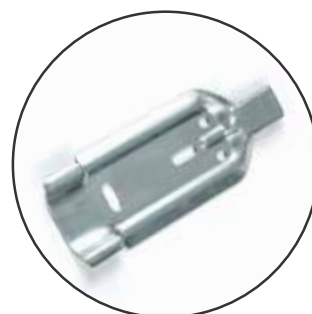


For CO2 fire extinguishers



For fire extinguishers with diameter 150-190mm

WALL HOLDERS



Available red or Zinc plated steel

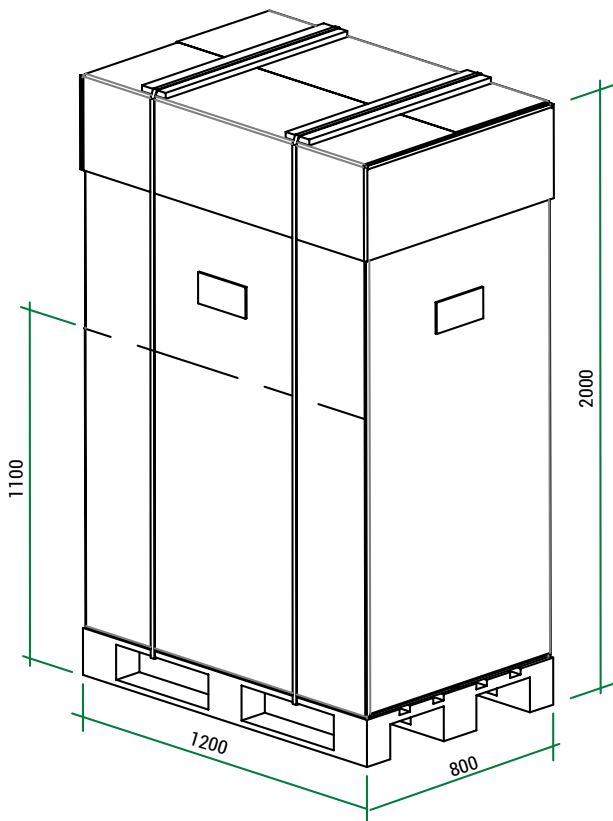
Available also from stainless steel

METAL RINGS



Standard sizes: from 150 mm to 185 mm.
Additionally available custom solutions and variety of sizes

PACKAGING



Standardised packaging for portable fire extinguisher cylinders – cardboard container type box

For extra safety during transportation, each cylinder is wrapped in protective cardboard sheet

Mobile fire extinguisher cylinders with or without trolley are packed in individual boxes or special packaging

AVERAGE CYLINDER QUANTITY PER PALLET*

Cylinder diameter, mm	Quantity per pallet, pcs.
80	880
90	880
95	860
110	500
112	400
125	270 - 300
140	220
150	127 - 155
160	139
180	72 - 80
185	72 - 80
190	80 - 81

* the quantity may vary depending on the height of exact cylinders

ABOUT VALPRO

COMPANY

VALPRO Ltd. is one of the largest longstanding metal working companies in Latvia. For more than 55 years VALPRO Ltd. has offered the highest quality metal products and metal processing services to clients all around the world. The major part of VALPRO Ltd. production is exported (89%) to companies that value high quality product, long-term cooperation and flexibility, speed in production and personal attitude in daily work.

Among a wide range of civilian customers, VALPRO Ltd. is proud to be supplier of various NATO Armies.

PRODUCTS

VALPRO Ltd. is specialized in manufacturing wide variety of metal fuel cans and metal cylinders for fire extinguishers and other systems. Company also produce accessories for all base products, steel stands, different metal parts and constructions.

SERVICES

VALPRO Ltd. provide seamless gas cylinders' periodic inspection and many metal treatment services: cutting, pressing, drilling, welding, machining, shot blasting and powder coating.

CERTIFICATES

Company: ISO 9001:2015; OHSAS 18001:2007; ISO 14001:2015

Products: BAM-Dangerous Goods Transportation Approval; TÜV-Rheinland; CE

Services: "NB2243 " NANDO

DATA

Turnover per financial year:

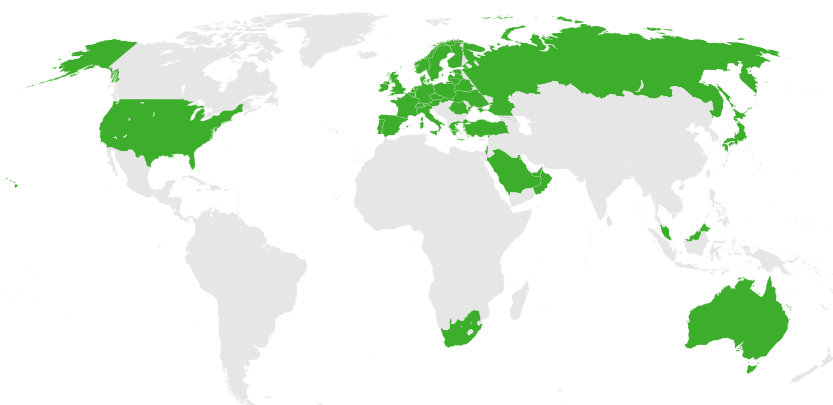
2015 – 12,6 mil €

2016 – 14,7 mil €

2017 – 14,0 mil €

2018 – 16,6 mil €

Number of employees: 360





FIRE EXTINGUISHER CYLINDERS

2019