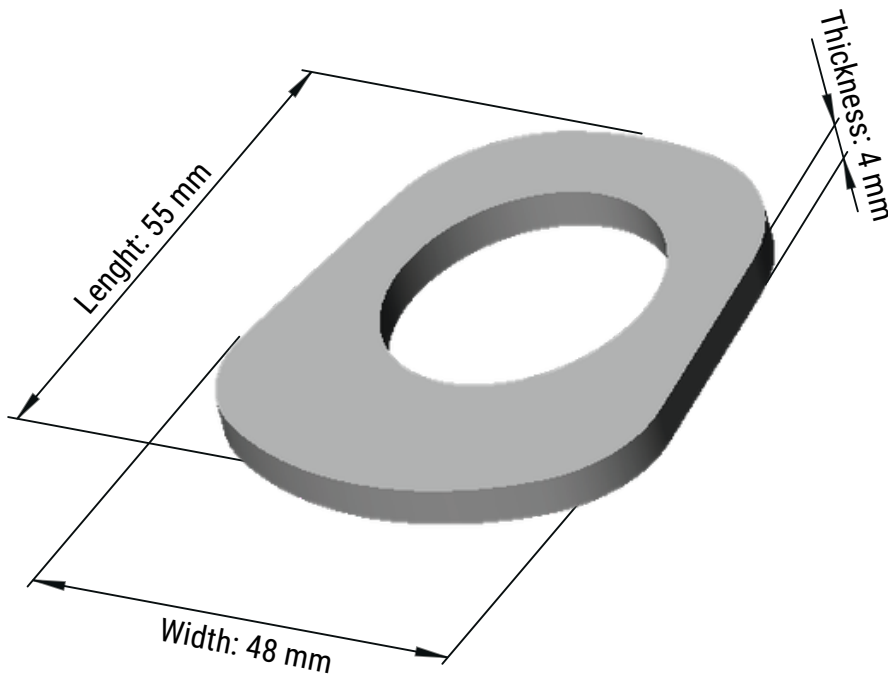




DATASHEET

PRODUCT 1000.01

RUBBER SEAL FOR SMART AND FLEXI POURING SPOUTS



Flexible and shape-retaining, maintaining a tight seal during repeated use

Resistant to fuels

Easy to install and replace

Suitable for use across a wide temperature range

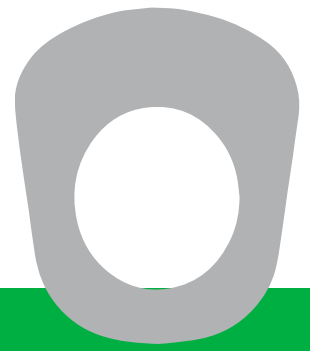
Ensures an airtight connection, preventing fuel and vapor leakage

High-quality nitrile butadiene rubber (NBR 60) in black color

Net: 0,0083 kg

- **Compatible with** Classic Line SMART and FLEXI spouts with product No.: 892.00, 747.00.00, 747.00.00-02
- VALPRO product performance is guaranteed only when original VALPRO accessories and spare parts are used





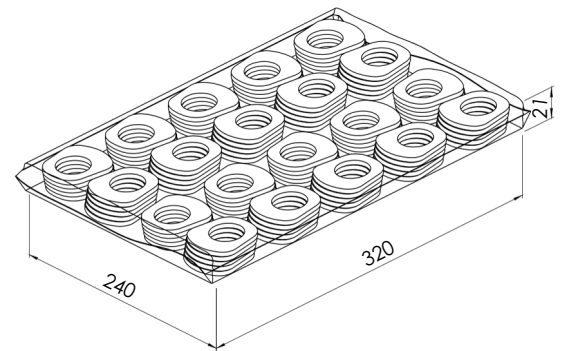
DATASHEET - PACKAGING

PRODUCT 1000.01 BULK

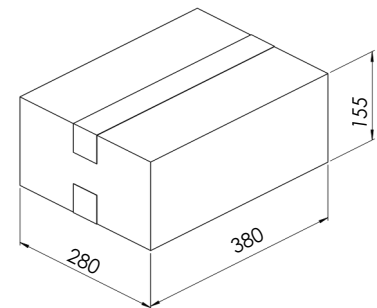
RUBBER SEAL FOR SMART AND FLEXI POURING SPOUTS

HS CODE: 40169300

PRIMARY PACKAGING	UNIT
Units per package	100
Depth, mm	240
Width, mm	320
Height, mm	21
Net, kg	0,83
Gross, kg	0,90



SECONDARY PACKAGING	BOX
Units per box	500
Depth, mm	280
Width, mm	380
Height, mm	155
Net, kg	4,15
Gross, kg	4,65



TERTIARY PACKAGING	PALLET
Units per pallet	20 000
Boxes per pallet	40
Length, mm	800
Width, mm	1200
Height, mm	930
Net, kg	166
Gross, kg	216

