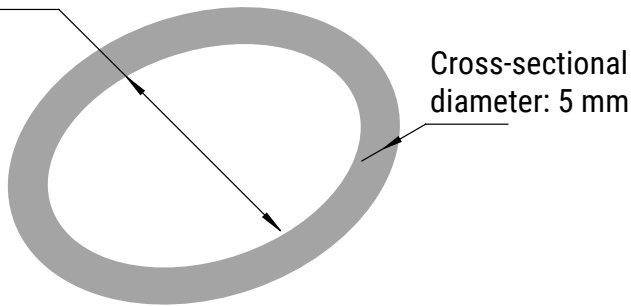


DATASHEET

PRODUCT 1155.20.02

RUBBER SEAL FOR METAL FUEL CAN WITH A SCREW CAP AND ITS FLEXI POURING SPOUT

Inner ring
diameter: 48 mm



Flexible and shape-retaining,
maintaining a tight seal during
repeated use

Resistant to fuels

Easy to install and replace

Suitable for use across a wide
temperature range

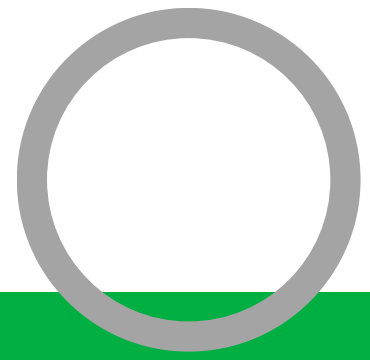
Ensures an airtight connection,
preventing fuel and vapor leakage

High-quality nitrile butadiene rubber
(NBR 50) in black color

Net: 0,004 kg

- **Compatible with** metal fuel cans with screw cap with product No.: 1235.00.00, 1173.00.00, 1155.00.00, and FLEXI pouring spouts with product No.: 1169.00 and 1169.00-02
- VALPRO product performance is guaranteed only when original VALPRO accessories and spare parts are used





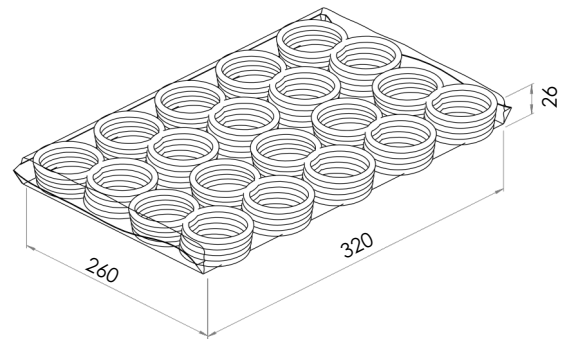
DATASHEET - PACKAGING

PRODUCT 1155.20.02 BULK

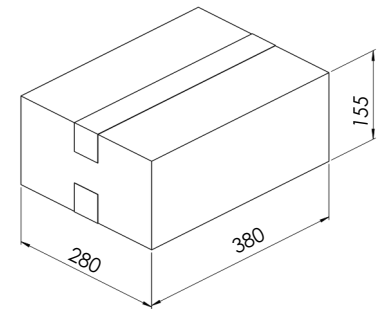
RUBBER SEAL FOR METAL FUEL CAN WITH A SCREW CAP AND ITS FLEXI POURING SPOUT

HS CODE: 40169300

PRIMARY PACKAGING	UNIT
Units per package	100
Depth, mm	240
Width, mm	320
Height, mm	16
Net, kg	0,42
Gross, kg	0,50



SECONDARY PACKAGING	BOX
Units per box	500
Depth, mm	280
Width, mm	380
Height, mm	155
Net, kg	3,15
Gross, kg	3,65



TERTIARY PACKAGING	PALLET
Units per pallet	20 000
Boxes per pallet	40
Length, mm	800
Width, mm	1200
Height, mm	930
Net, kg	126
Gross, kg	176

