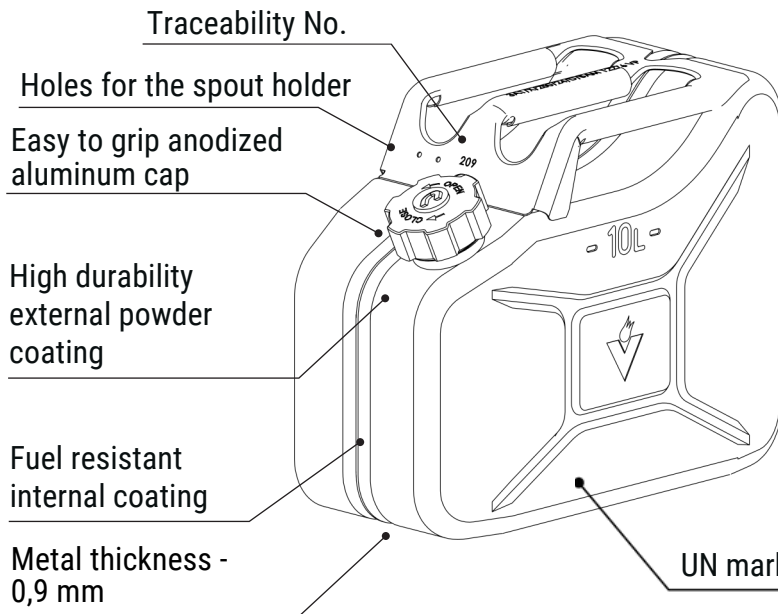
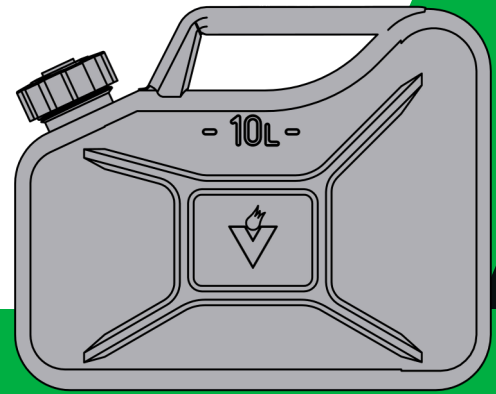


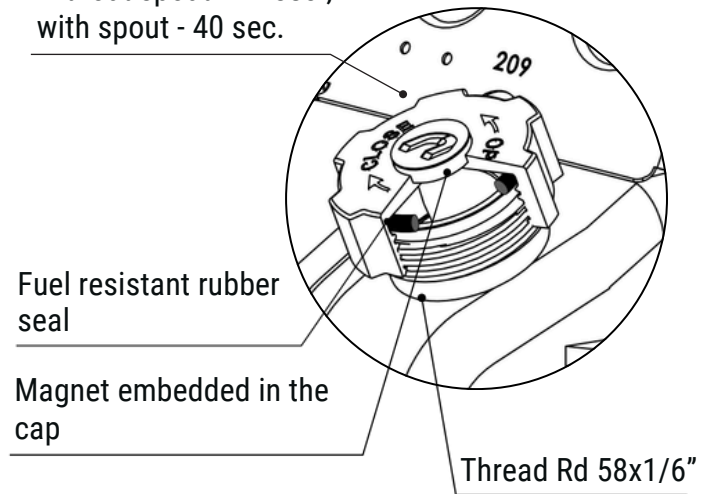
DATASHEET

PRODUCT 1173.00.00

10L METAL FUEL CAN WITH SCREW CAP



Rate of pouring:
without spout - 12 sec.,
with spout - 40 sec.



- The can is BAM certified and labeled with the UN approval number (**3A1/X/250/..D/BAM 16145-VP**) as packaging for the transportation of high-hazard substances (group X) as well as additionally certified and regularly tested by *TUV Rheinland*
- Pressure test 2,5 bar and impact strength test from 1,8 m height is conducted regularly in manufacture
- Standard colors: green (RAL 6003), red (RAL 3000) and black (RAL 9005). It is possible to personalize the color of the cans



- Possible personalization with a stamp in the center and / or bottom of the can, or a 3D polymer sticker
More information from the sales manager

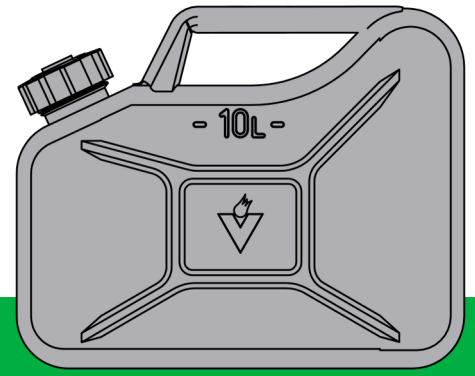
ACCESSORIES

- Pouring spouts (1169.00 for petrol and 1169.00-02 for diesel) and spout holder (1239.01)
- Fuel identification TAG (1136.00)
- Spare parts: cap (1155.20.00), rubber seal (1155.20.02)



DATASHEET - PACKAGING

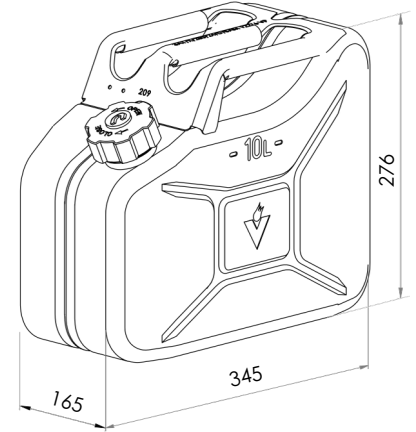
PRODUCT 1173.00.00



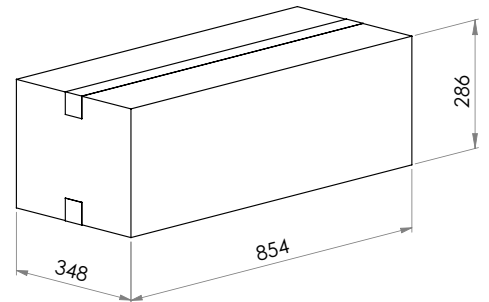
10L METAL FUEL CAN WITH SCREW CAP

HS CODE: 73102990

SPECIFICATION	FUEL CAN
Depth, mm	165
Width, mm	345
Height, mm	276
Neto, kg	2,8



SPECIFICATION	BOX OF 5
Number per box	5
Length, mm	854
Width, mm	348
Height, mm	286
Neto, kg	14
Gross, kg	14,8



SPECIFICATION	PALLET
Number on the pallet	120
Boxes on the pallet	24
Length, mm	1200
Width, mm	854
Height, mm	2527
Neto, kg	336
Gross, kg	380

