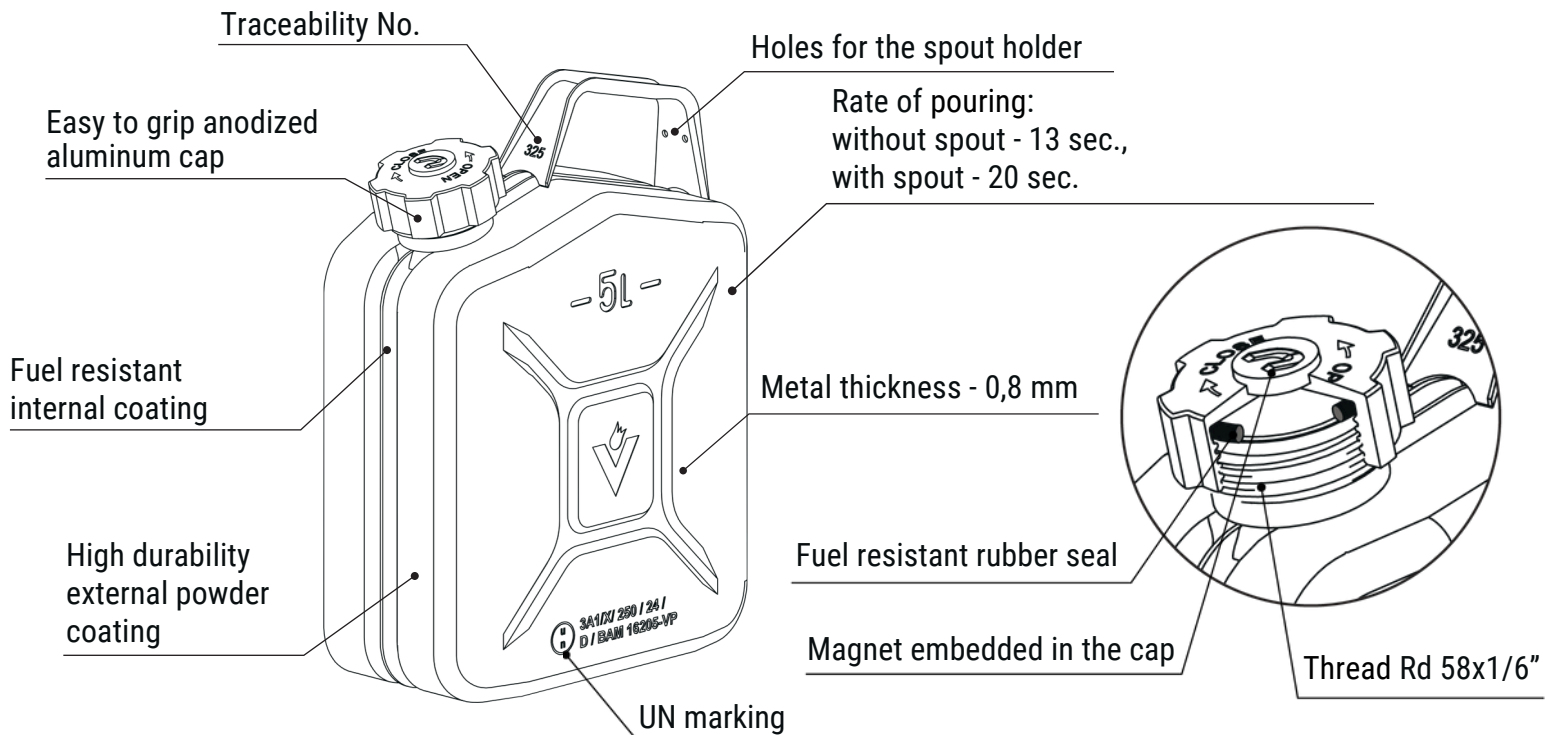


DATASHEET

PRODUCT 1235.00.00

5L METAL FUEL CAN WITH SCREW CAP



- The can is BAM certified and labeled with the UN approval number (**3A1/X/250/..D/BAM 16205-VP**) as packaging for the transportation of high-hazard substances (group X) as well as additionally certified and regularly tested by *TUV Rheinland*
- Pressure test 2,5 bar and impact strength test from 1,8 m height is conducted regularly in manufacture
- Standard colors: green (RAL 6003), red (RAL 3000) and black (RAL 9005). It is possible to personalize the color of the cans

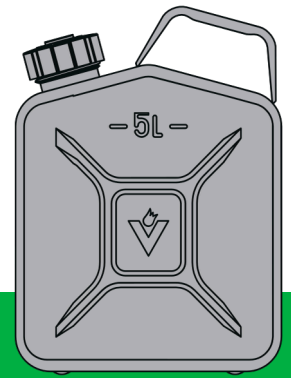


- Possible personalization with a stamp in the center and / or bottom of the can, or a 3D polymer sticker
- More information from the sales manager

ACCESSORIES

- Pouring spouts (1169.00 for petrol and 1169.00-02 for diesel) and spout holder (1239.01)
- Fuel identification TAG (1136.00)
- Spare parts: cap (1155.20.00), rubber seal (1155.20.02)





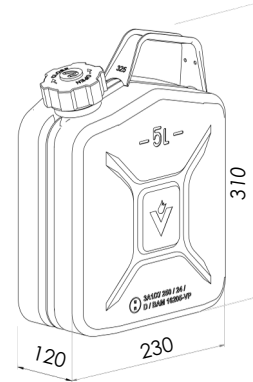
DATASHEET - PACKAGING

PRODUCT 1235.00.00

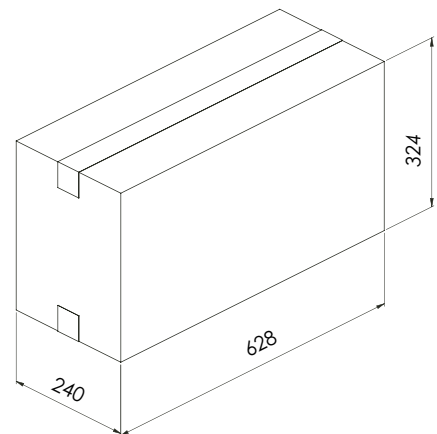
5L METAL FUEL CAN WITH SCREW CAP

HS CODE: 73102990

SPECIFICATION	FUEL CAN
Depth, mm	120
Width, mm	230
Height, mm	310
Neto, kg	1,6



SPECIFICATION	BOX OF 5
Number per box	5
Length, mm	628
Width, mm	240
Height, mm	324
Neto, kg	8
Gross, kg	8,6



SPECIFICATION	PALLET
Number on the pallet	175
Boxes on the pallet	35
Length, mm	1200
Width, mm	800
Height, mm	2421
Neto, kg	280
Gross, kg	326

