



VALPRO VALPRO VALPRO

quality • safety • reliability • quality • safety • reliability



VALPRO VALPRO VALPRO

quality • safety • reliability • quality • safety • reliability

FIRE EXTINGUISHER CYLINDERS

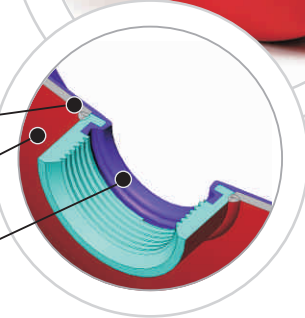




**Steel grade DC 04**



**Powder coated with RAL 3000**



**Plastic lining**

Manufacturing of fire extinguisher cylinders is VALPRO's one of the core business activities. VALPRO started to manufacture fire extinguisher cylinders in 1997. Today the company has many years of international experience in manufacturing of fire extinguisher cylinders and fire extinguisher accessories. Majority of products are manufactured for export purposes and exported mainly to Germany, Sweden, The Netherlands and Russia.

VALPRO offers two-piece and three-piece cylinders for powder fire extinguishers and for water/foam extinguishers with internal plastic-lining, the process of manufacturing which involves not only customized technologies, but also an individual treatment towards each unit produced. Due to specialized Engineering department responsible for necessary equipment manufacturing, maintenance and repair, as well as flexible manufacturing process, VALPRO is able to complete specific orders and find solutions that would satisfy each customer's unique needs.

VALPRO is also willing to offer its customers unique technological solutions in order to produce individually customized products, while still taking into account necessary quantities, pre-defined time limits and ensuring high quality standards in all processes of cooperation.

## CERTIFICATE 97/23/EC

Bureau Veritas S.A. is a Notified Body under the number 0062

**BUREAU VERITAS**

**ATTESTATION D'APPROBATION DE SYSTEME DE QUALITE**  
**CERTIFICATE OF QUALITY SYSTEM APPROVAL**  
**N° CE-PED-H-VAL 002-09-LVA**

BUREAU VERITAS S.A., agissant dans le cadre de sa notification (numéro d'organisme notifié 0062), atteste que le système de qualité appliqué par le fabricant pour la conception, la fabrication, l'inspection finale et les essais des équipements sous pression identifiés ci-après, a été examiné selon les prescriptions du module H de l'annexe III de la directive "Équipements sous pression" N° 97/23/CE et est conforme aux dispositions correspondantes de la directive. BUREAU VERITAS S.A., acting within the scope of its notification (notified body number 0062), attests that the quality system operated by the manufacturer for design, manufacture, final inspection and testing of the pressure equipment identified hereunder has been examined against the provisions of annex III, module H, of the Pressure Equipment Directive n° 97/23/EC, and found to satisfy the provisions of the directive which apply to it.

Fabricant (Nom) / Manufacturer (Name): SIA Valpro  
 Adresse / Address: L.Laikina Street 2.LV-4201 Valmiera, LATVIA  
 Marque commerciale / Branding name: VALPRO  
 Description des équipements / Equipment description: Steel cylinders for fire extinguishers, fire extinguishers

Identification des équipements concernés (liste en annexe le cas échéant) / Identification of equipment concerned (if attached where necessary)

Cette attestation est valable jusqu'au / This certificate is valid until: 07/26/2012

La réalisation de l'approbation est soumise à la réalisation par le Bureau Veritas des audits, essais et vérifications selon le contrat signé par le fabricant et le Bureau Veritas.  
 The approval is conditional upon the successful audits, tests and verifications to be carried out by Bureau Veritas, as per the provisions stated in the agreement signed by both the manufacturer and Bureau Veritas.

Cette attestation est présentée telle et le fabricant s'engage à en assurer le respect de son utilisation, et les assurances, données par le fabricant lors de la signature d'approbation, en matière d'application de son système qualité approuvé. Si ce contrat de son équipement au type et/ou d'inspection et d'essais des produits finis ne respectent pas les conditions générales, le fabricant ne s'engage pas à faire des objections en cas de charge par le directeur n° 97/23/CE du 29 mai 1997 telle que transposée dans les lois nationales applicables.  
 This certificate shall be presented as such and the manufacturer shall ensure that any conditions mentioned in its use, when the manufacturer fails to comply with its undertakings as per the agreement in respect of (a) implementation of the approved quality system; (b) conformity of the equipment with the type and (c) inspection and tests on the final product, and generally when the manufacturer fails in particular to comply with any of his obligations under directive n° 97/23/EC of 29 May 1997 as transposed in the applicable laws.

Émis / Issued at:	L.R./On:	Signé par / Signed by:	Signature / Signature:
Rīga, Latvia	07/27/2009	Arlurs Klinaševičs	

Code d'enregistrement / Registration code: 2008215.13.2574P

La présente attestation est soumise aux Conditions Générales de Service de Bureau Veritas. Veuillez consulter le document correspondant signé par le distributeur. This certificate is subject to the terms of Bureau Veritas General Conditions of Service. Please refer to the document signed by the distributor.

Copyright Bureau Veritas PV / 239 1/2 - Annex H File N° LVIND09002 http://www.bureauveritas.com/pol

Bureau Veritas S.A. is a Notified Body under the number 0062

**BUREAU VERITAS**

**ANNEXE à l'attestation d'approbation de système de qualité**  
**ANNEX to the certificate of quality system approval**  
**N° CE-PED-H-VAL 002-09-LVA**

Liste des équipements concernés  
 List of the concerned equipment:

**Two-piece steel cylinders for fire extinguishers:**

Diameter (mm):	80	90	95	110	112	125	140	150	160	170	180	185	190
Maximum capacity (l):	1.3	2.0	2.0	2.7	3.9	3.9	6.7	8.0	8.0	12.0	13.8	14.0	14.0

**Three-piece steel cylinders for fire extinguishers:**

Diameter (mm):	80	90	95	110	112	125	140	150	160	170	180	185	190	293
Maximum capacity (l):	1.3	2.0	2.0	2.7	3.9	3.9	6.7	8.0	8.0	12.0	13.8	14.0	14.0	55.0

**Portable, stored pressure powder fire extinguishers:**  
 "PA" 1; 2; 3; 4; 5; 6; 9 and 12 kg

**Portable, stored pressure water based fire extinguishers:**  
 "UPA" 2; 3; 6 and 9 l

## FIRE EXTINGUISHER CYLINDERS

### Two – part cylinder



### Three – part cylinder



Fire extinguisher cylinders with definite diameters are available in various combinations of different types of cylinder neck rings and bottom parts. Possible combinations are listed in tables below.

		Two – part cylinder									
D		90	95	110	112	125	150	160	180	185	190
V <sub>MAX(L)</sub>		2.0	2.0	2.7	3.9	3.9	7.0	8.0	13.8	14.0	14.0
K	K1		●	●		●	●			●	●
	K2	●			●						
	K3						●	●	●		●
	K4				●			●		●	
	K5				●			●		●	
N	N1	●	●		●	●	●	●			
	N2									●	●
	N3							●	●		●
	N4										
	N5			●							
	N6										

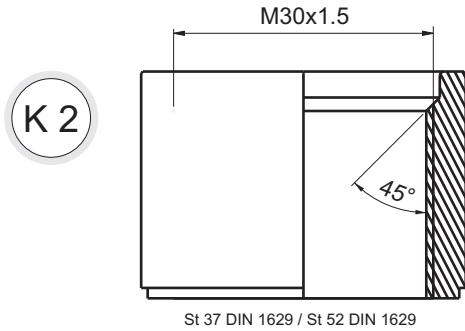
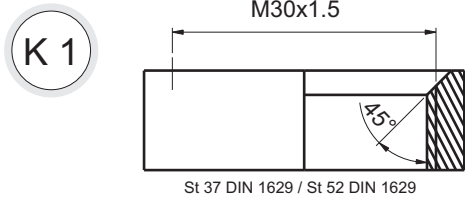
		Three – part cylinder									
D		80	110	140	150	160	180	185	190		
V <sub>MAX(L)</sub>		1.3	2.7	6.7	8.0	8.0	11.8	14.0	14.0		
K	K1	●	●	●			●	●	●		
	K2										
	K3				●	●	●	●			
	K4				●	●	●	●			
	K5				●	●	●	●			
N	N1			●	●	●	●	●	●		
	N2										
	N3				●			●	●		
	N4	●									
	N5										
	N6		●								

Presented cylinder types and dimensions apply to current production possibilities. According to your requirements VALPRO offers opportunity to develop custom cylinder design.

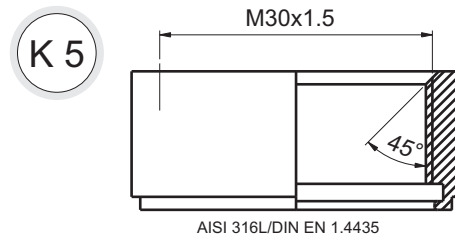
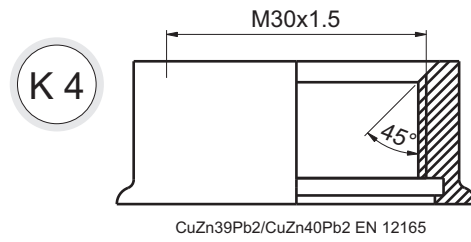
Drawings of cylinder neck rings and bottom parts follows in the next page.

## FIRE EXTINGUISHER CYLINDER NECK RINGS

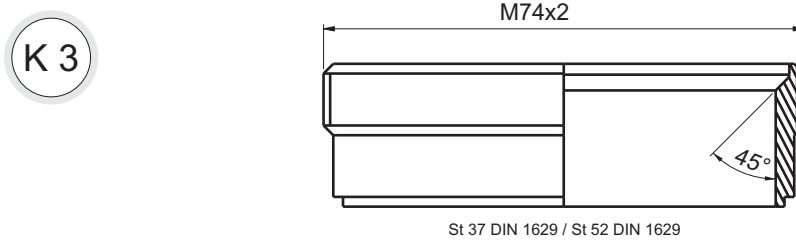
### Powder fire extinguisher cylinders



### Foam/ water fire extinguisher cylinders



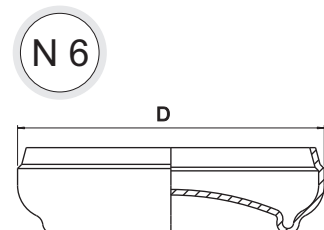
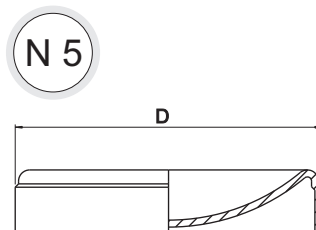
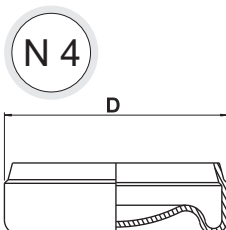
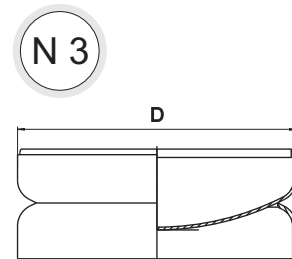
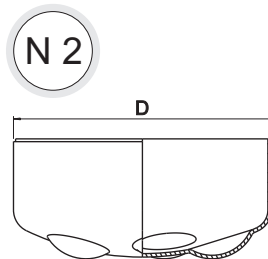
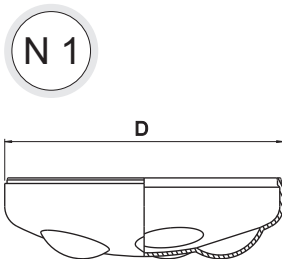
### Powder and foam/ water fire extinguisher



## FIRE EXTINGUISHER BOTTOM PARTS

### Powder and foam/ water fire extinguisher cylinders

Steel DC 04 EN 10130



## FIRE EXTINGUISHER CYLINDERS WITH VARIOUS MODIFICATIONS

### Construction modifications:

- Additional exits for outside cartridge, hose
- Handles for carrying

### Surface treatment:

- Special internal painting
- Outside coating with zinc
- Painting with nonstandard color tones



## CYLINDERS AND TROLLEYS FOR MOBILE FIRE EXTINGUISHERS

Cylinders for 25 and 50 kg powder fire extinguishers

Cylinders with **internal plastic coating** for

Foam 50 l fire extinguishers

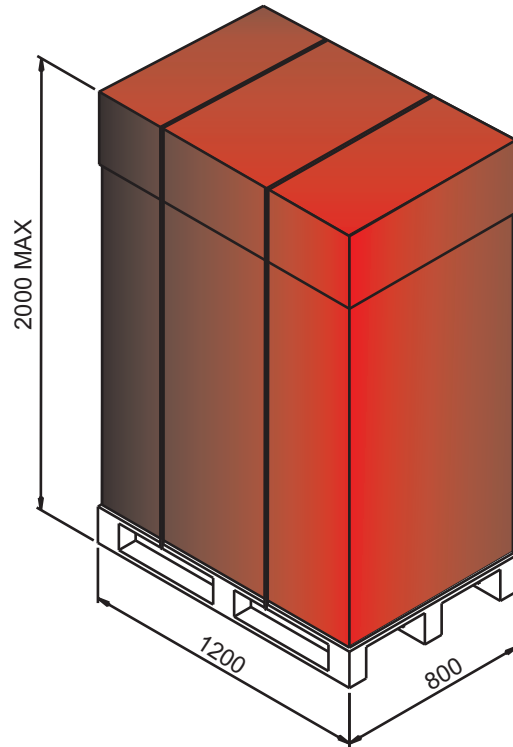
- Diameter of cylinder 293 mm
- Variety of neck rings



To meet individual needs different modifications of trolleys are available.

## PACKAGING

Cylinders are packed in standardized cardboard container type box. For extra safety during transportation each cylinder is wrapped in protective cardboard and between each cylinder layer in box is placed cardboard sheet.



## APPROXIMATE CYLINDER QUANTITY PER PALLET

Cylinder diameter, mm	Quantity per pallet, pcs.
80	880
90	880
95	864
110	500
112	400
125	270÷324
140	220
150	127÷194
160	139
180	72÷96
185	72÷96
190	80÷81

## FIRE EXTINGUISHER ACCESSORIES

Transportation bracket for 5kg CO<sub>2</sub> fire extinguisher



Wire transportation bracket for 1kg, 2kg extinguishers



Transportation bracket for 4kg- 12kg extinguishers



## TRANSPORTATION BRACKETS

Fits to fire extinguisher types:	Cylinder diameter, mm	Color	Article No.
3 kg	125	Black	296.00.00-01
4 kg	140	Black	296.00.00
CO <sub>2</sub> , 5kg	145	Red	272.00.00
		Black	272.00.00-01
4 kg	150	Red	137.40.00
6 kg		Red	137.40.00-01
4 kg, 6 kg		Black	228.00.00
		Red	228.00.00-01
		Black	228.00.00A
9 kg		185	Black
12 kg	Red		231.00.00 S
	Black		231.00.00-01
Red	231.00.00-01		
UNIVERSAL	125-215	Black	563.00
1 kg	95	Red	354.30.00
2 kg	112	Red	226.30.00-01

## OTHER ACCESSORIES

Metal ring

- Red or Black
- Steel or stainless steel



Wall holder

- Red or Black
- Steel or stainless steel



Fire extinguisher pedestal

- With/ without nickel plated ashtray
- With one or two fire extinguisher holders





**VALPRO Ltd.**

L.Laicena Street 2, Valmiera

LV-4201, Latvia

Central Tel: +371 642 07240

Sales Tel: +371 642 07251

Fax: +371 642 07250

Video conference: IP : 195.13.178.156

Skype: valpro.lv

[www.valpro.lv](http://www.valpro.lv)

[valpro@valpro.lv](mailto:valpro@valpro.lv)

