

# PORTABLE NON-CONTACT STAND

# USER'S MANUAL

## THANK YOU FOR PURCHASING THIS PRODUCT

Read and follow this manual thoroughly before using the appliance. If you pass this product on to another user, please pass on this manual to them as well.

### PRODUCT DESCRIPTION

The portable non-contact stand is designed for spraying disinfectant, liquid soap, hand lotion without touching it with your hands. The mechanism is foot operated. The stand is portable and mainly intended for indoor use, but it is also capable of being temporarily used outdoors, observing the provisions of this manual.

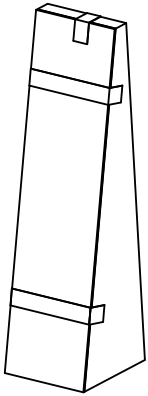
- Powder-coated steel construction, stainless steel pedal.
- It has a non-slip base that does not scratch the floor and has a stable placement.
- Adjustable and designed for various dispenser containers equipped with an upper dosing device (up to a diameter of 90 mm).
- The container can be easily removed for filling or replacement.
- A 1000 ml dispenser container is included in the set.
- Protect the stand from the external environment (e.g. rain, frost, direct sunlight).
- Do not use alkaline cleaners.
- Use only a soft cloth and gentle cleaners.
- The warranty period is in accordance with the regulatory enactments of the respective country (from the moment of purchase, which is indicated on the purchase receipt).

#### **The following are exempt from warranty:**

- Natural wear and tear on parts of the device due to its prolonged use.
- Damage is caused by external factors (misuse, etc.).
- Mechanical damage to the device due to physical impact or another similar cause.
- Damage caused by unqualified repairs, the use of non-compliant parts, or overloading of the product.

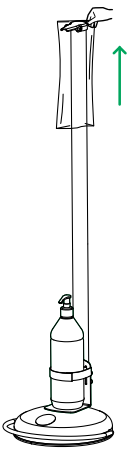
# STAND INSTALLATION

**1**



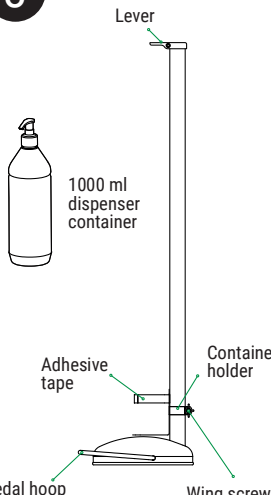
Make sure that the packaging is not mechanically damaged.

**2**



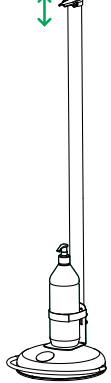
Remove the stand from the film bag.

**3**



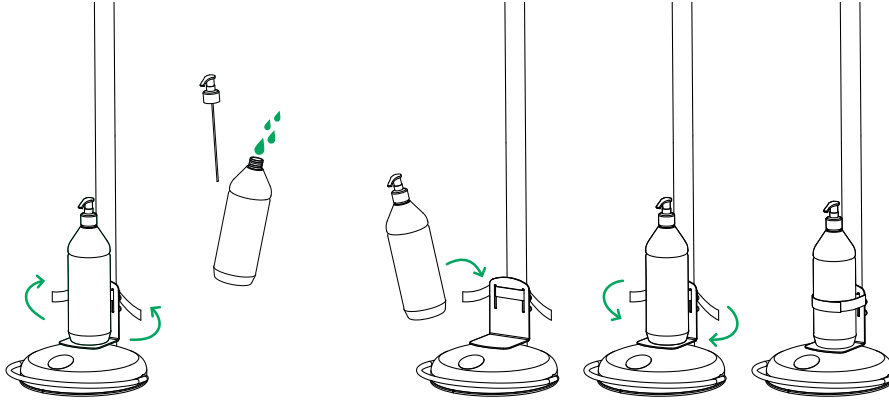
Lever  
1000 ml dispenser container  
Adhesive tape  
Container holder  
Pedal hoop  
Wing screw

**4**



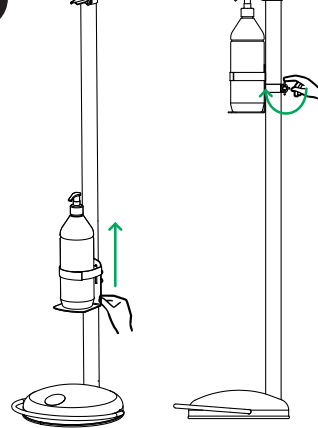
Place the stand on a flat floor. When pressing and releasing the pedal hoop, make sure that the upper lever moves down and returns to its starting position.

**5**



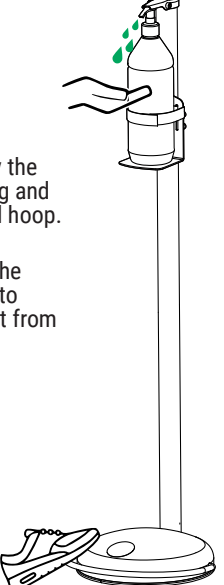
Remove the dispenser container and refill. Put the container back on and secure it with adhesive tape.

**6**



When loosening the wing screw of the container holder, move the container to the upper lever. The closer to the lever you push, the larger the dose of spray will be. Tighten the wing screw.

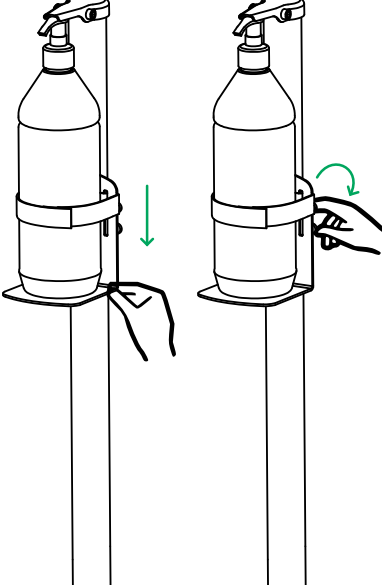
**7**



Make sure to spray the product by pressing and releasing the pedal hoop.

**Caution!** Depress the pedal hoop slowly to prevent the product from splashing out.

**8**



To reduce the amount of spray, loosen the wing screw on the dispenser container holder and lower the holder slightly. Tighten the wing screw.

Repeat step 7.